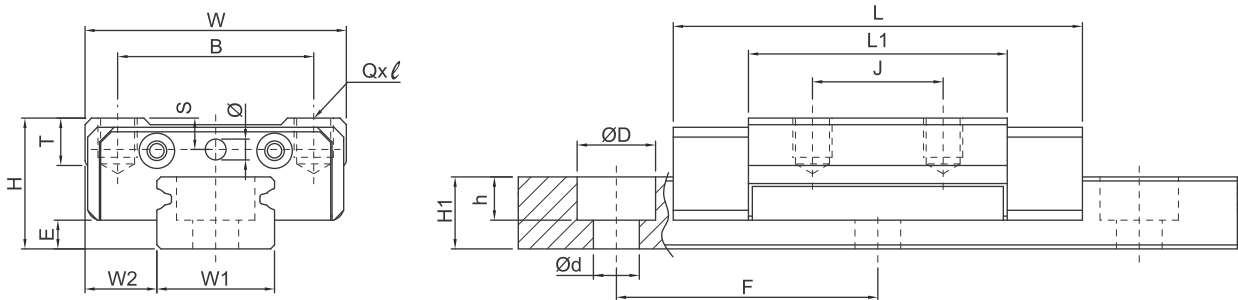
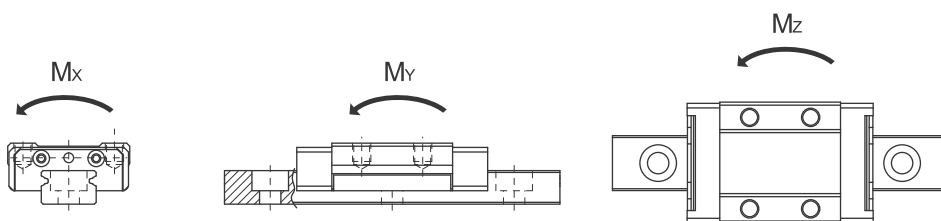


## TM-N Series Specifications



Model No.	Assembly (mm)			Rail(mm)							Block(mm)						
	H	W2	E	W	B	J	T	L	L1	Qxℓ	∅	W1	H1	∅D	h	∅d	F
TM07NN	8	5	1.5	17	12	8	2.25	23	12.3	M2x2	1.3	7	4.7	4.2	2.3	2.4	15
TM07NL	8	5	1.5	17	12	13	2.25	31	20.3	M2x2	1.3	7	4.7	4.2	2.3	2.4	15
TM09NN	10	5.5	2.2	20	15	10	3.62	30.5	19.8	M3x3	1.3	9	5.5	6	3.3	3.5	20
TM09NL	10	5.5	2.2	20	15	16	3.62	40.8	30.1	M3x3	1.3	9	5.5	6	3.3	3.5	20
TM12NN	13	7.5	3	27	20	15	4.54	35	20.6	M3x3.5	1.3	12	7.5	6	4.5	3.5	25
TM12NL	13	7.5	3	27	20	20	4.54	47.5	33.1	M3x3.5	1.3	12	7.5	6	4.5	3.5	25
TM15NN	16	8.5	4	32	25	20	5.86	43	27	M3x5	1.3	15	9.5	6	4.5	3.5	40
TM15NL	16	8.5	4	32	25	25	5.86	60	44	M3x5	1.3	15	9.5	6	4.5	3.5	40



Model No.	Load Rating (kgf)		Static Permissible Moment						Weight	
			Mx(kgf-mm)		My(kgf-mm)		Mz(kgf-mm)		Block (kg)	Rail (kg/m)
	C	Co	Single Block	Single Block	Double Block	Single Block	Double Block			
TM07NN	144	204	745	232	3,234	232	3,234	0.005	0.21	
TM07NL	220	374	1,367	849	7,261	849	7,261	0.009		
TM09NN	220	374	1,713	849	7,117	849	7,117	0.013	0.32	
TM09NL	299	579	2,648	2,099	14,174	2,099	14,174	0.020		
TM12NN	381	536	3,269	1,094	12,391	1,094	12,391	0.024	0.61	
TM12NL	555	919	5,604	3,437	26,857	3,437	26,857	0.039		
TM15NN	581	834	6,336	2,316	23,096	2,316	23,096	0.048	1	
TM15NL	860	1,459	11,088	7,527	52,908	7,527	52,908	0.080		

